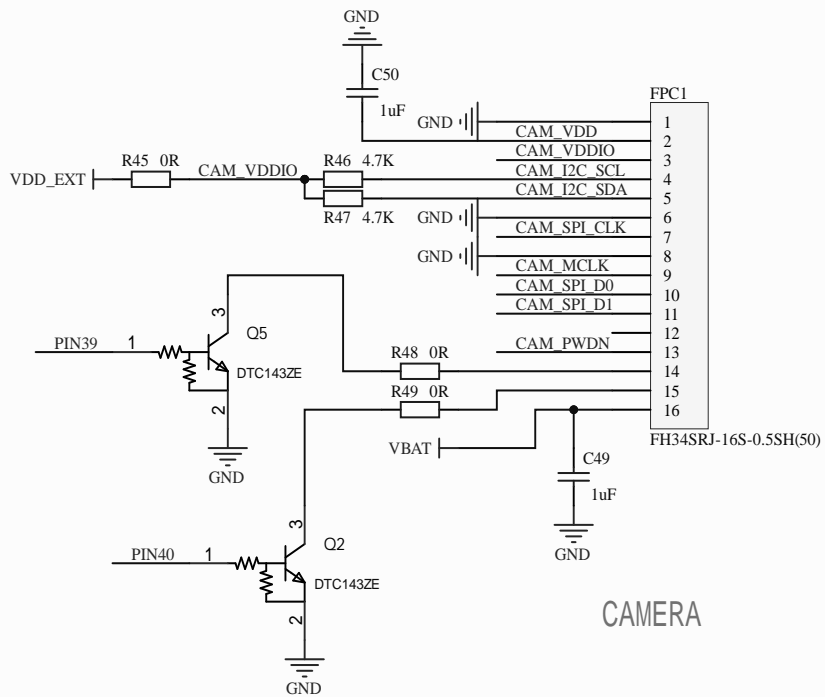
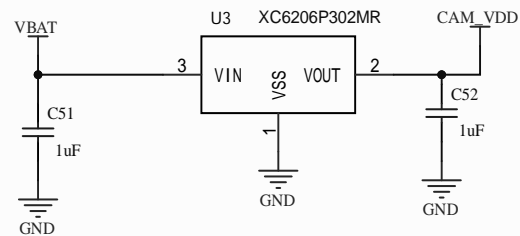


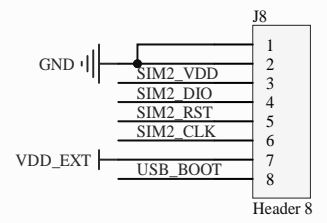
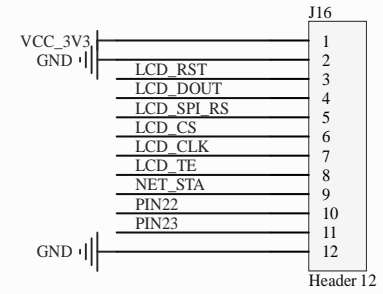
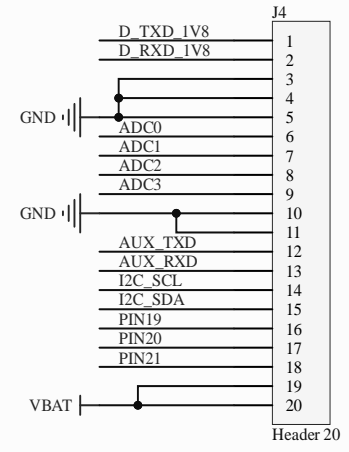
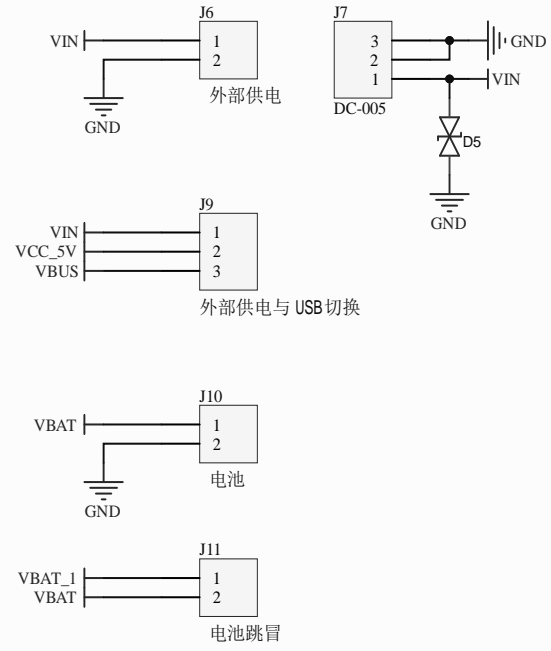
Title		
Size	Number	Revision
A4		
Date:	2/02/2026	Sheet of
File:	F:\项目\...\AUDIO.SchDoc	Drawn By:



CAMERA

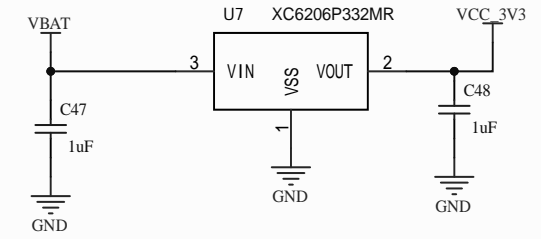
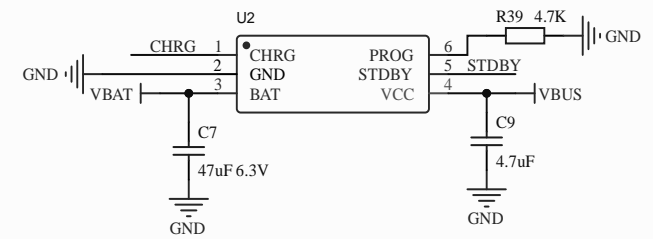
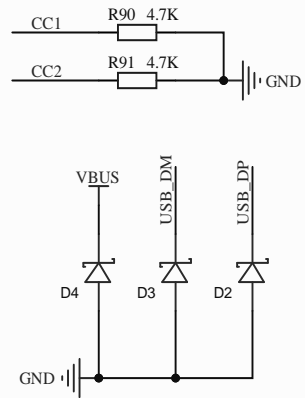
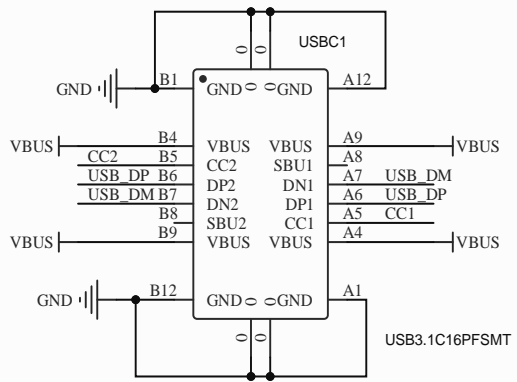


Title		
Size	Number	Revision
A4		
Date:	2/02/2026	Sheet of
File:	F:\项目\...\CAM.SchDoc	Drawn By:

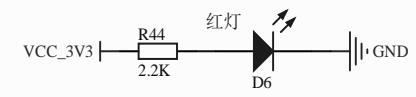
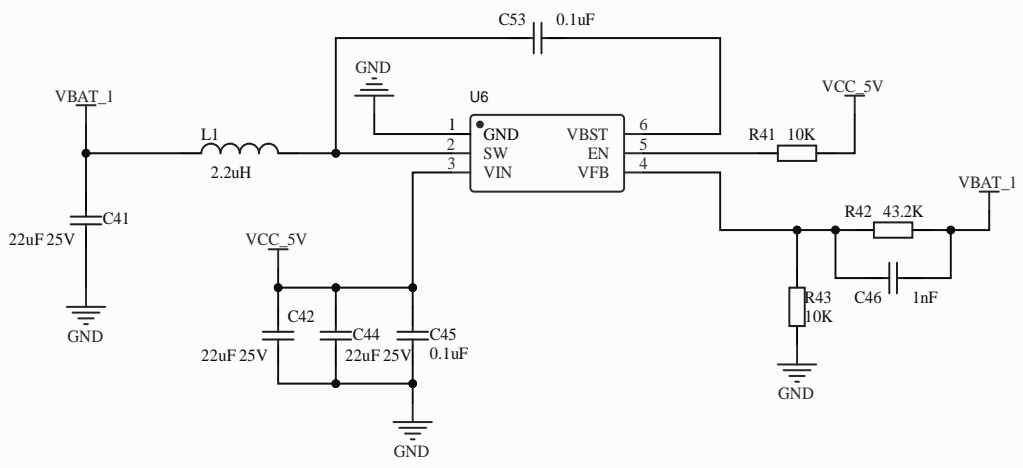


充电 IC

Title		
Size	Number	Revision
A4		
Date:	2/02/2026	Sheet of
File:	F:\项目\...\CONNECT.SchDoc	Drawn By:



type-C



充电 IC

Title		
Size	Number	Revision
A4		
Date:	2/02/2026	Sheet of
File:	F:\项目\...\POWER.SchDoc	Drawn By:

